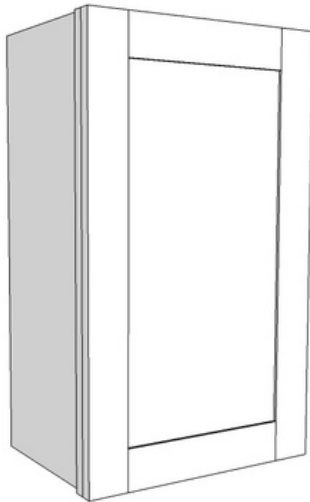


18" x 30" Wall Cabinet Assembly Guide LW1830



IMPORTANT NOTES

Before you start, inspect all panels and hardware to ensure you have everything needed.

We recommend laying the panels on some cardboard to protect the finish when assembling.

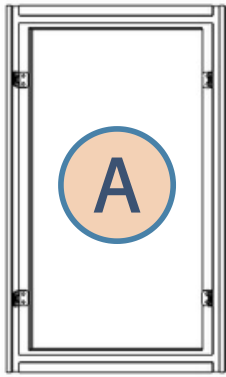
In addition to the pre-installed hardware, we recommend adding a bead of white wood glue in the dado grooves, to create the strongest cabinet.



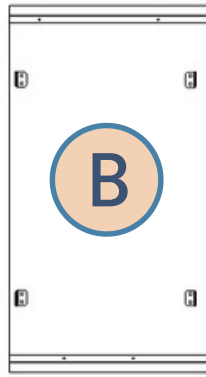
www.millspride.com/rta

Scan this code for more detailed instructions, assembly videos and to register your cabinet warranty.

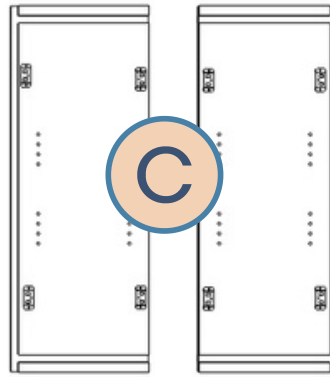
PARTS



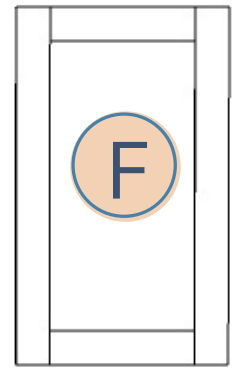
1 x Face Frame with
Pre-Installed
Hardware



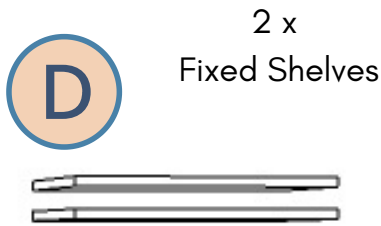
1 x Back Panel
with Pre-Installed
Hardware



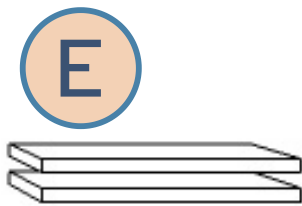
2 x End Panels
with Pre-Installed
Hardware



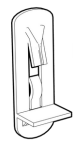
1 x Door



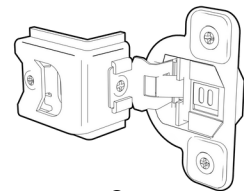
2 x
Fixed Shelves



2 x Adjustable
Shelves







8 x Locking
Shelf Rests

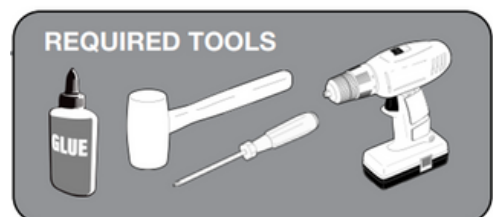


2 x
Hinges



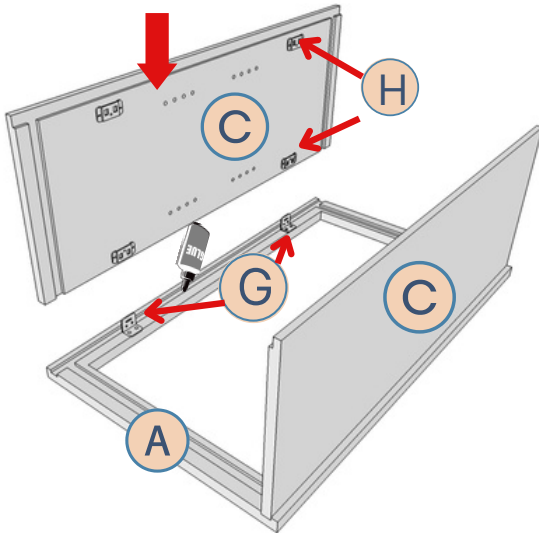
2 x Bumpers

-  16 - #6 x 1/2" Pan Head Screws
-  4 - #6 x 5/8" Flat Countersink Screws
-  2 - #8 x 7/8" Pan Washer Head Screws
-  4 - #6 x 1" Flat Countersink Screws

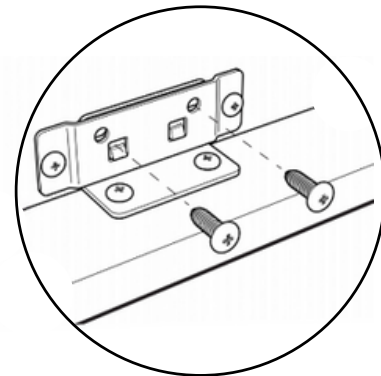


Step 1

Run a bead of wood glue in vertical grooves in the Frame (A) and insert End Panels (C) into the grooves, so that L-Brackets (G) and Connector Plates (H) 'snap' together.

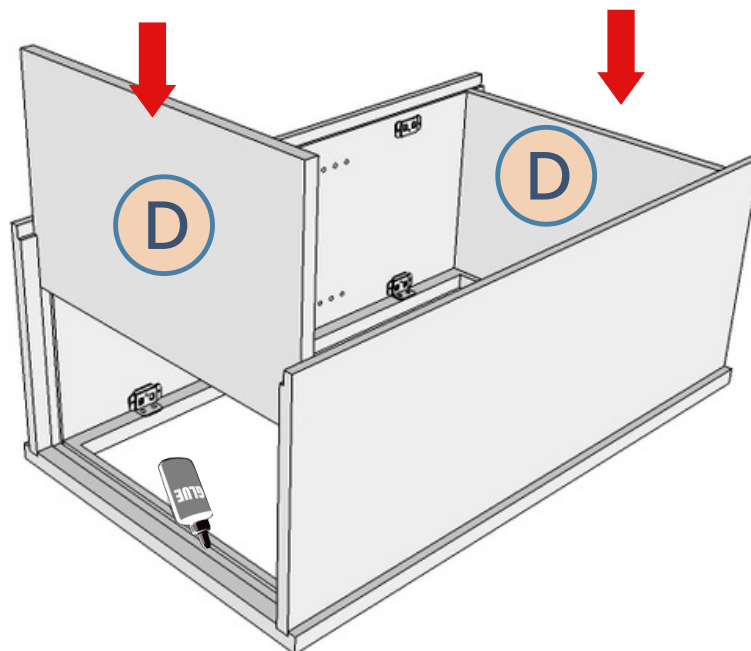


Align the panels so the dado grooves line up and tighten the Connector Plate screws. Then secure the Connector Plates and L-Brackets with (8) #6 x 1/2" Pan Head locking screws.



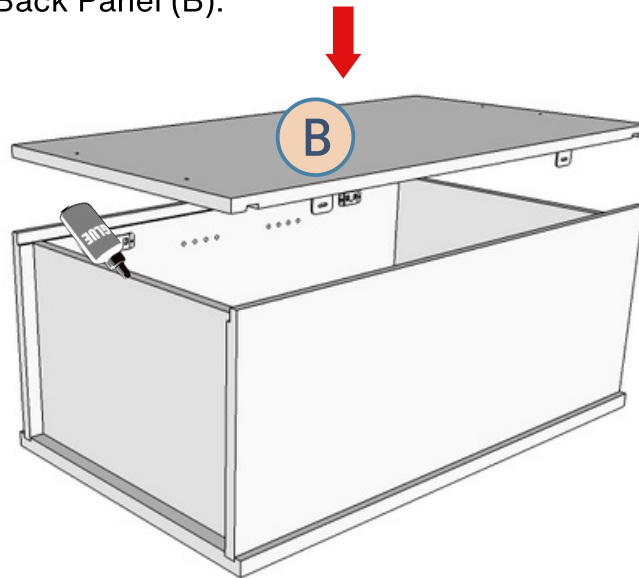
Step 2

Run beads of glue in the horizontal grooves in End Panels (C) and Frame (A) and insert Fixed Shelves (D).



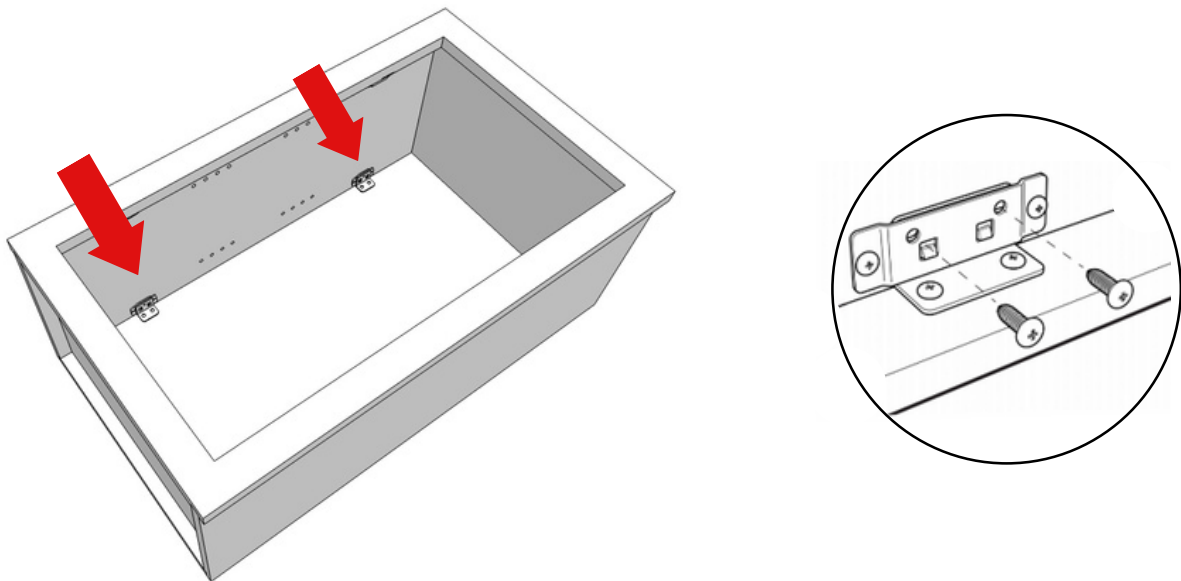
Step 3

Apply beads of glue and carefully install Back Panel (B) into grooves in rear of End Panels (C), so that L-Brackets (G) and Connector Plates (H) snap together. Ensure Fixed Shelves (D) slot into grooves in Back Panel (B).



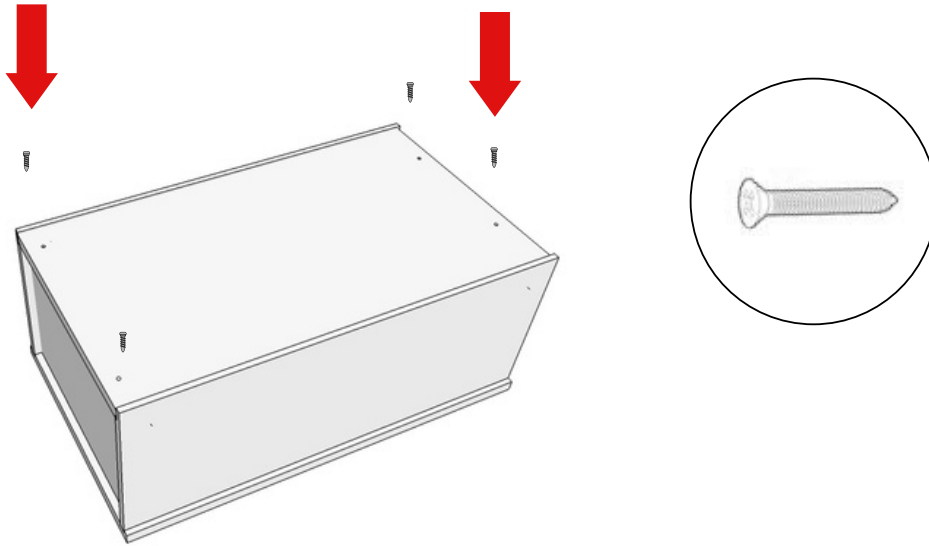
Step 4

Turn the cabinet over, make sure it is square and tighten the Connector Plate screws. Then secure the Connector Plates and L-Brackets with (8) #6 x 1/2" Pan Head locking screws.



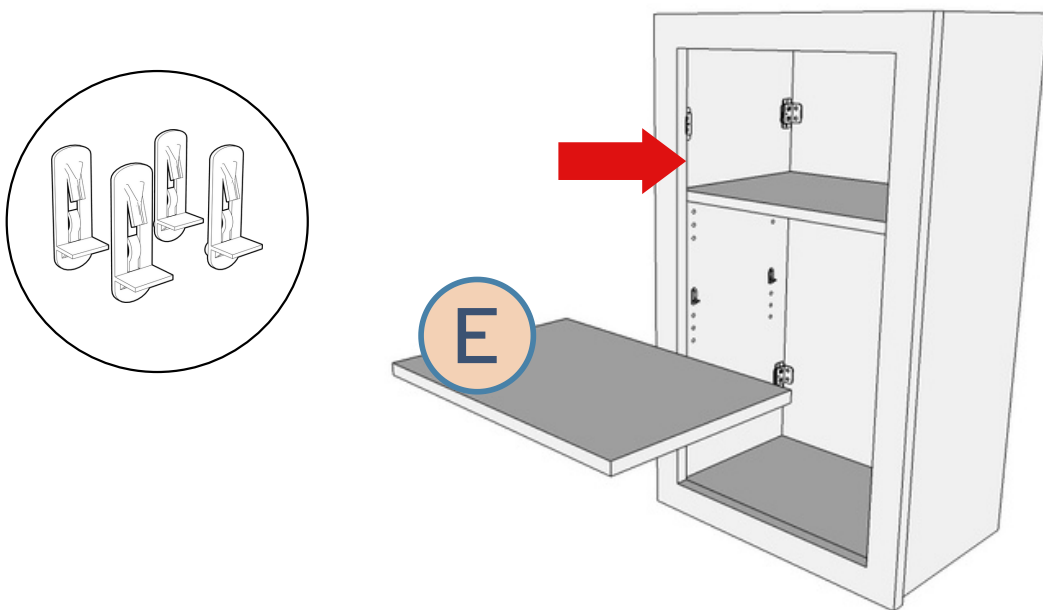
Step 5

Turn the cabinet over again and insert (4) #6 x 1" Flat Head screws thru holes in Back Panel (B). Tighten securely into Fixed Shelves (D).



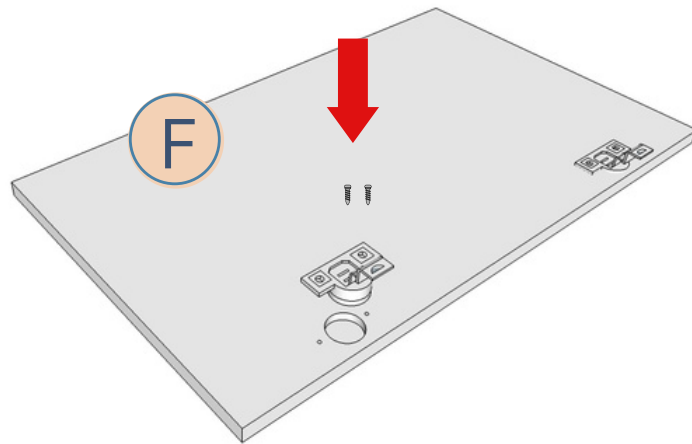
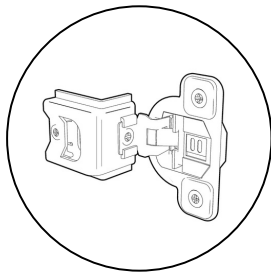
Step 6

Insert (4) Locking Shelf Rests (I) in desired locations and install Adjustable Shelves (E)



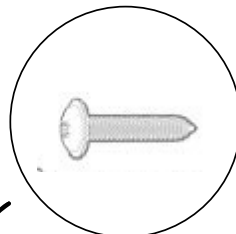
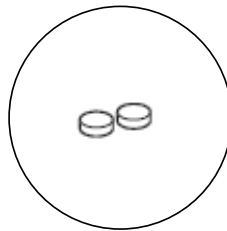
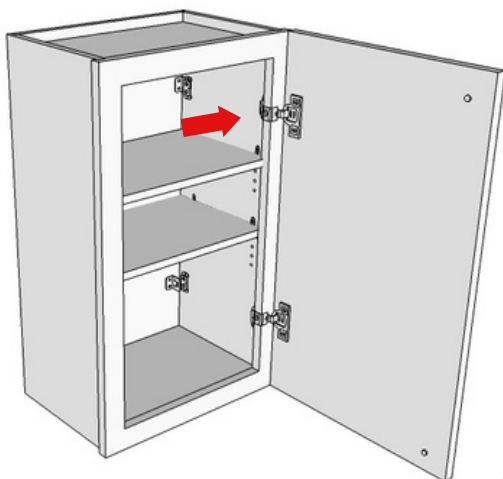
Step 7

Lay the Door (F) face down on a smooth surface and install (2) Hinges (P) using (4) #6 x 5/8" Flat Head Screws



Step 8

Attach Door (F) to the Face Frame (A) using (2) #8 x 7/8" Pan Washer Head screws and install (2) Clear Bumpers



IMPORTANT!

Consult a professional to determine the best hardware required to mount the cabinet securely to your type of wall.

enjoy