

18" x 64½"
Laundry Tower
Assembly Guide LT18

IMPORTANT NOTES

Before you start, inspect all panels and hardware to ensure you have everything needed.

We recommend laying the panels on some cardboard to protect the finish when assembling.

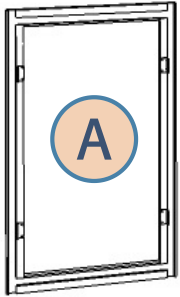
In addition to the pre-installed hardware, we recommend adding a bead of white wood glue in the dado grooves, to create the strongest cabinet.



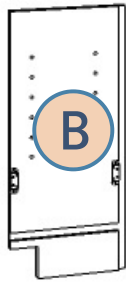
www.millspride.com/rta

Scan this code for more detailed instructions, assembly videos and to register your cabinet warranty.

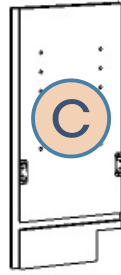
PARTS



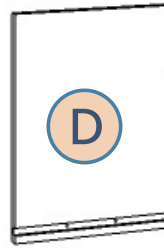
1 x Lower Frame with Pre-installed Hardware



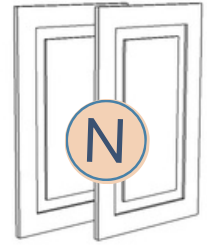
1 x Left Lower End with Pre-Installed Hardware



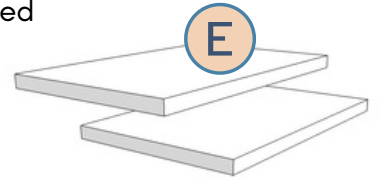
1 x Right Lower End with Pre-Installed Hardware



1 x Lower Back with Pre-Installed Hardware



2 x Doors

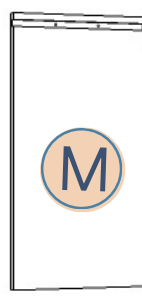
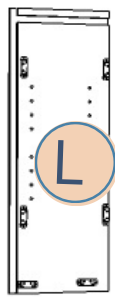
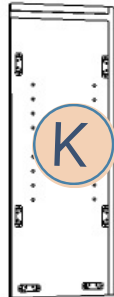


2 x Fixed Shelves

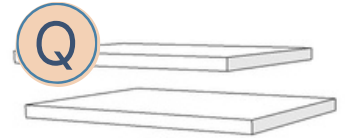
1 x Upper U-Frame with Pre-installed Hardware



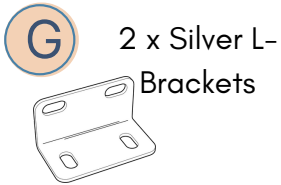
1 x Left Upper End with Pre-installed Hardware



1 x Upper Back with Pre-installed Hardware



2 x Adjustable Shelves



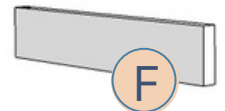
2 x Silver L-Brackets



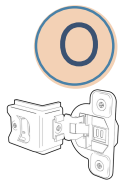
6 x Wood Biscuit Joints



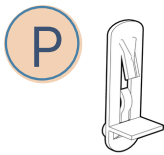
4 x Wood Connector Dowels



1 x Toe Kick Panel



4 x Soft Close Hinges



8 x Locking Shelf Rests








1 x Adjustable Hanging Rod

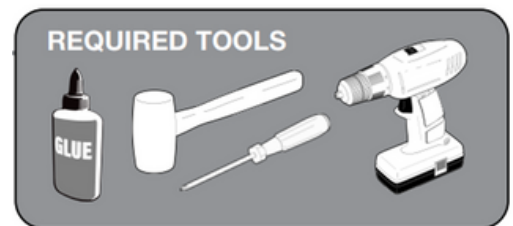


2 x Rod Sockets with Screws



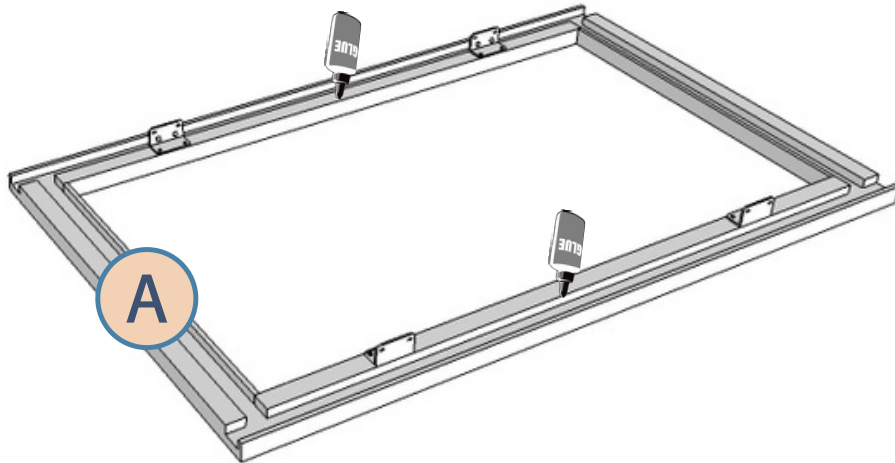
4 x Clear Bumpers

-  8 - #8 x 1/2" Pan Head Screws
-  38 - #6 x 1/2" Pan Head Screws
-  8 - #6 x 5/8" Flat Countersink Screws
-  4 - #8 x 7/8" Pan Washer Head Screws
-  4 - #6 x 1" Flat Countersink Screws



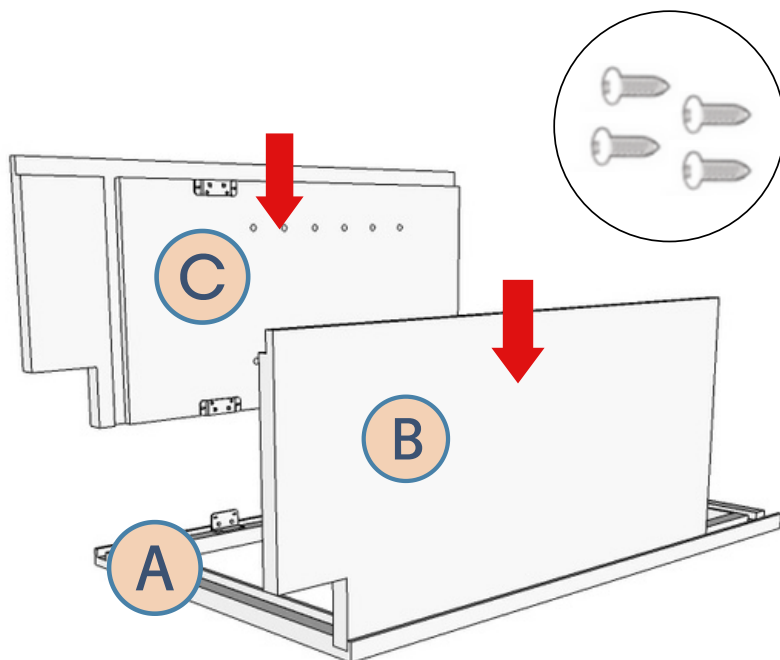
Step 1

Lay the Lower Frame (A) face down on a smooth flat surface and run a bead of glue in the vertical grooves.

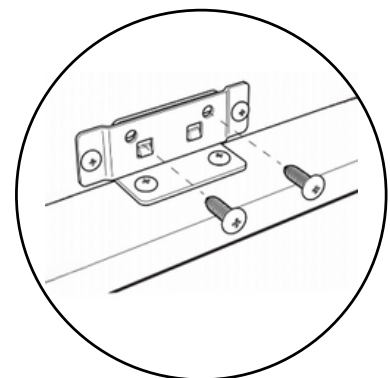


Step 2

Insert the Lower Ends (B and C) so that the L-Brackets on the Frame (A) and the Connector Plates on the Ends (B and C) 'snap' together.

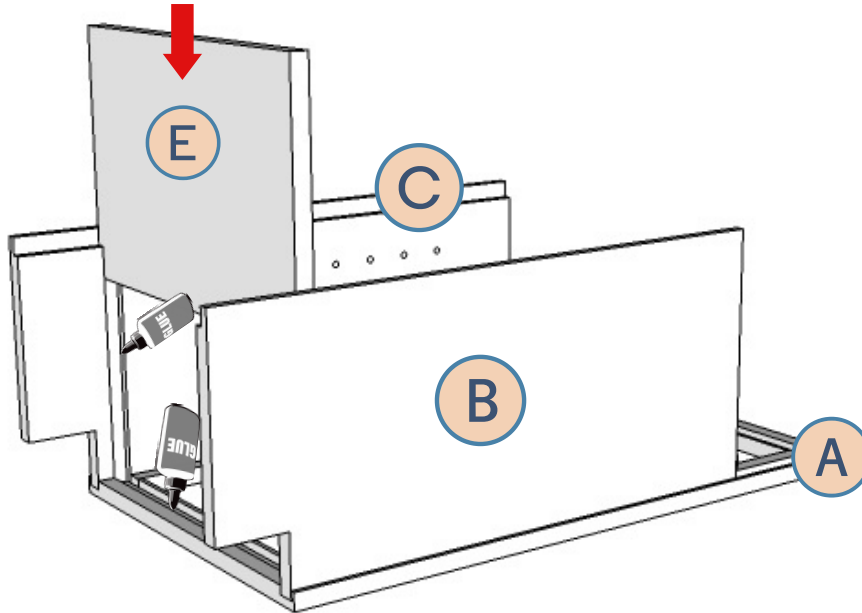


Align the panels so the dado grooves line up and tighten the Connector Plate screws. Then, lock the Plates and L-Brackets together with (4) #6 x 1/2" Pan Head screws.



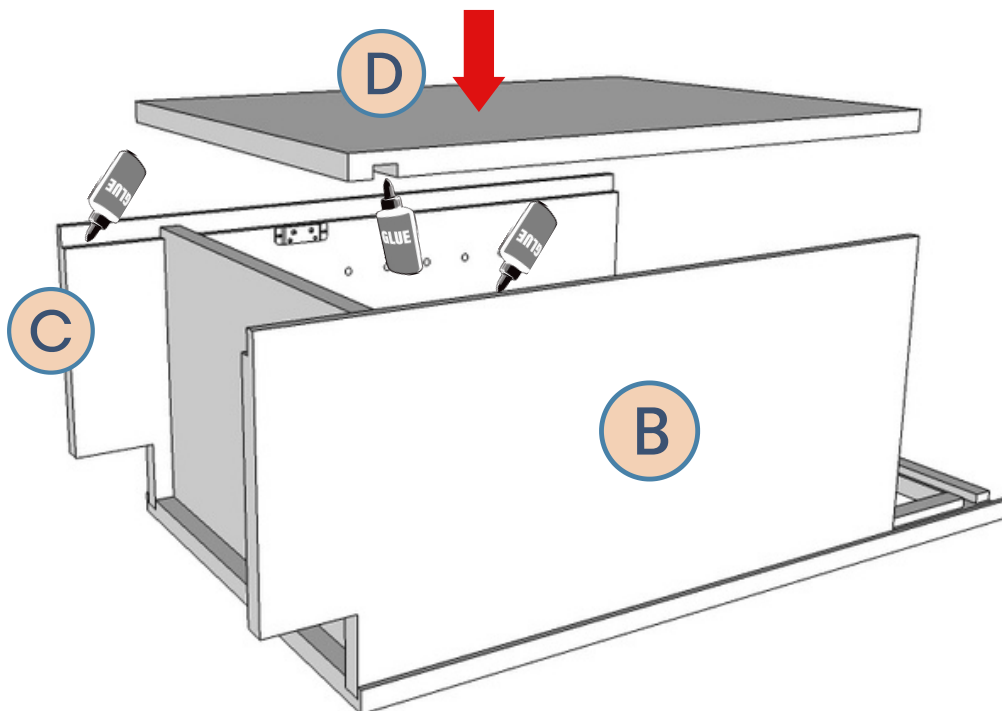
Step 3

Run beads of glue in the lower grooves in Frame (A) and Lower Ends (B and C) and insert (1) Fixed Shelf (E).



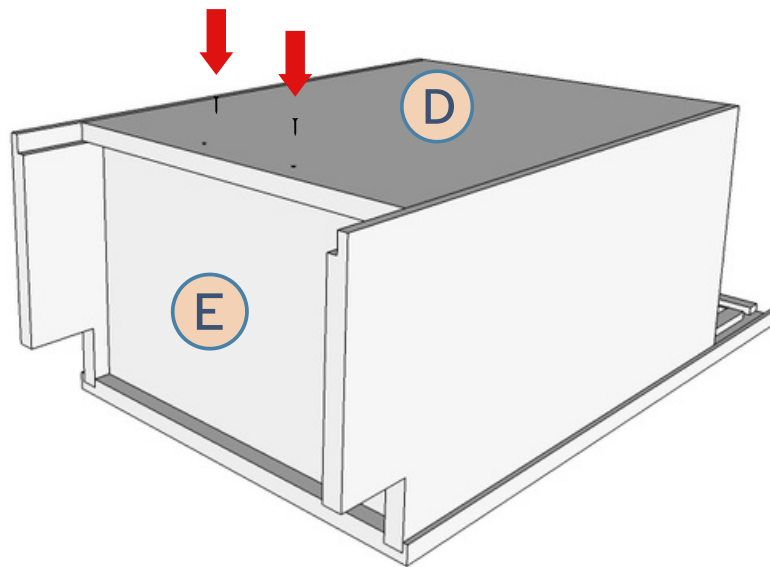
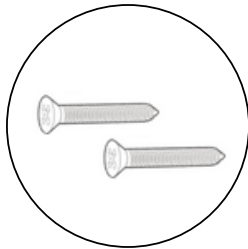
Step 4

Apply beads of glue to recesses in back of Lower Ends (B and C) and groove in Lower Back (D). Carefully install Lower Back (D) so that the L-Brackets and Connector Plates 'snap' together.



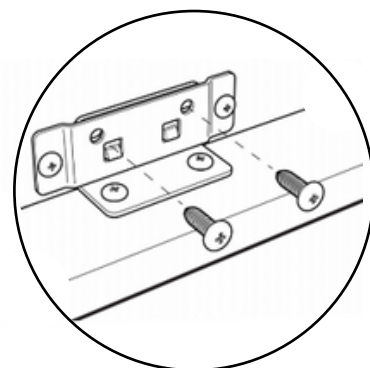
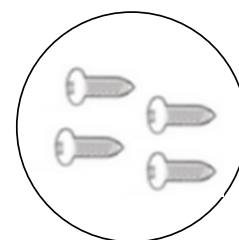
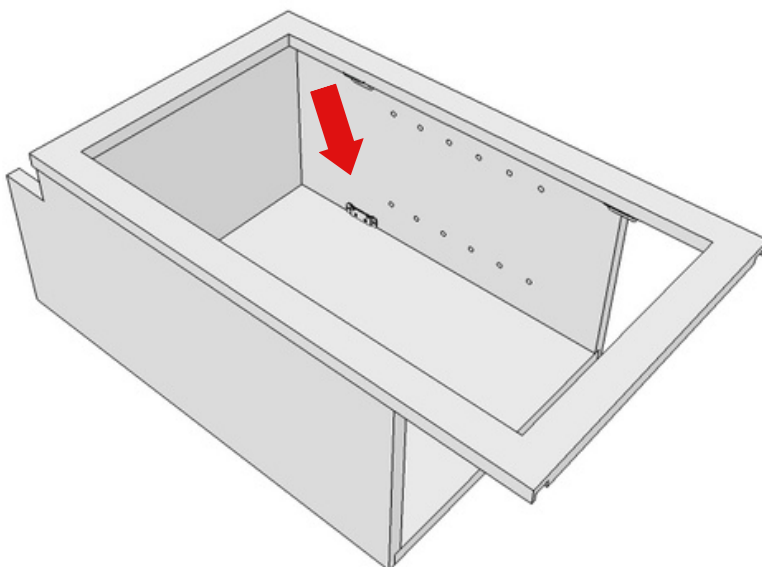
Step 5

Ensure the brackets and plates are connected, insert (2) #6 x 1" Flat Head screws thru holes in Lower Back and fully tighten into Fixed Shelf (E).



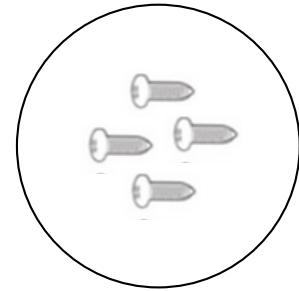
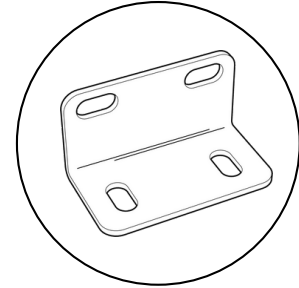
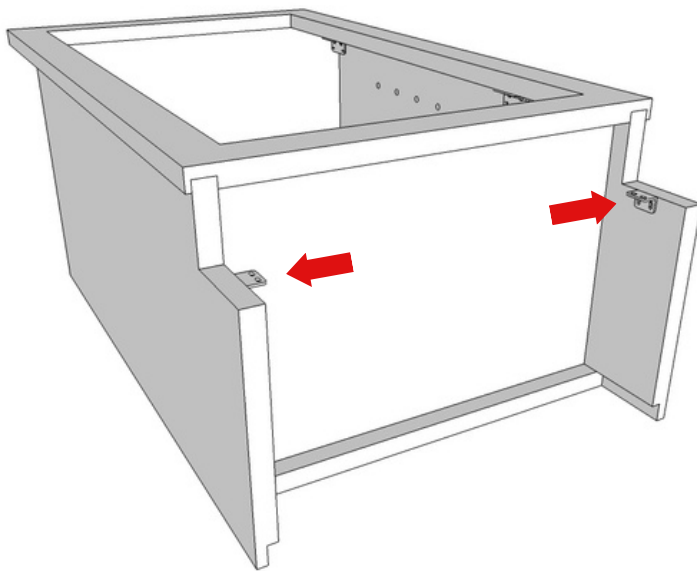
Step 6

Carefully turn the cabinet over and tighten the Connector Plate screws. Then, secure the brackets together using (4) #6 x 1/2" Pan Head locking screws.



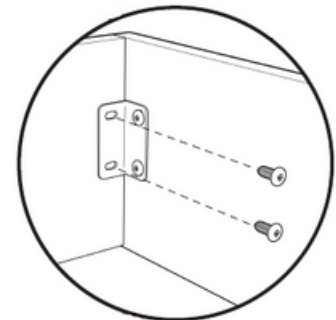
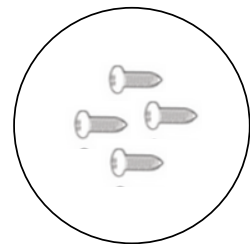
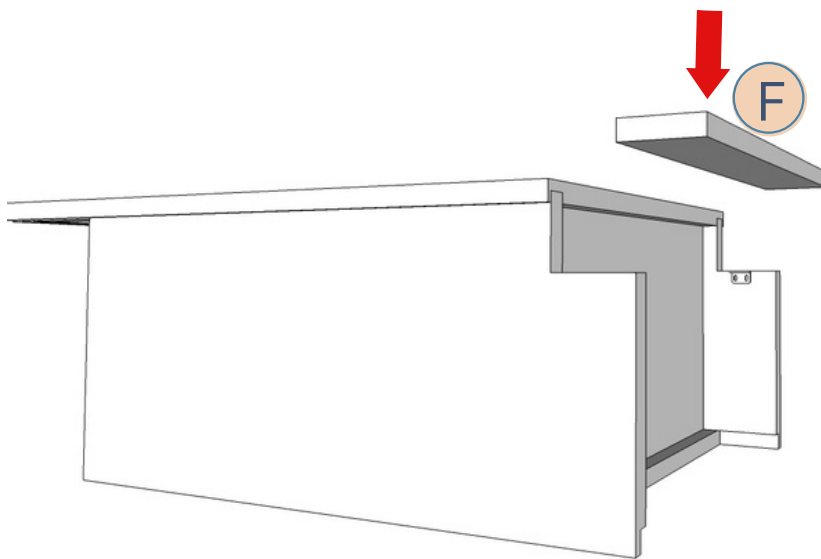
Step 7

At the Toe Kick cutout, attach (2) Silver L-Brackets (G) to the Lower Ends (B and C) using (4) #8 x 1/2" Pan Head screws.



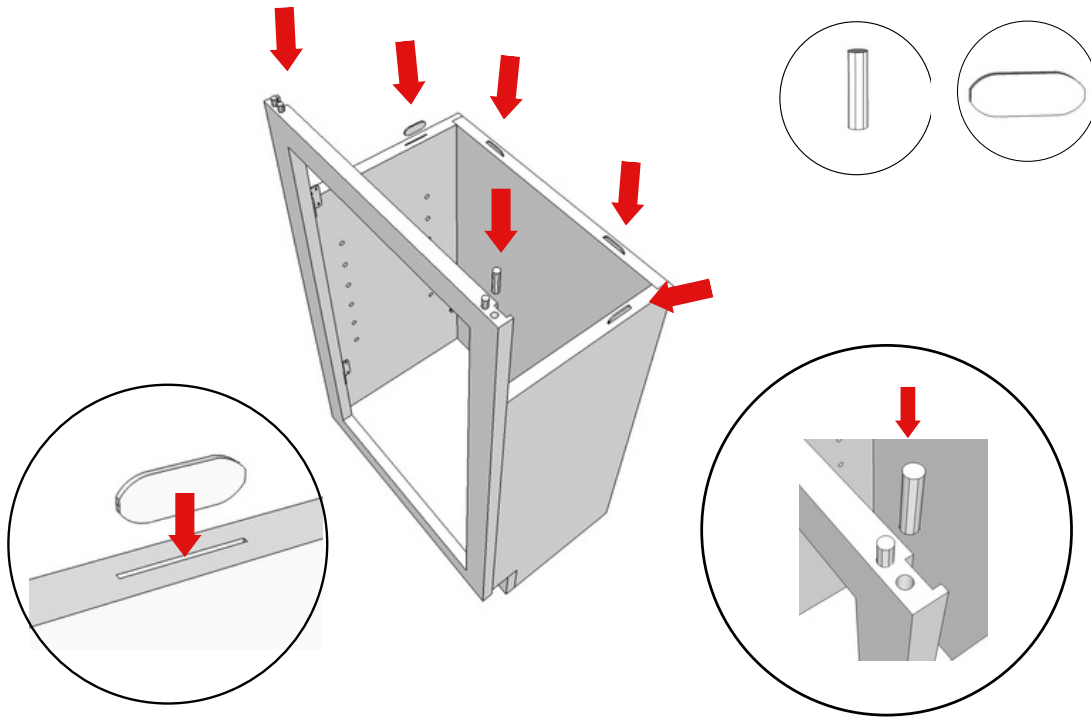
Step 8

Mount the Toe Kick (F) to the Silver L-Brackets (G) using (4) #8 x 1/2" Pan Head screws. Ensure the outer edges of the Toe Kick align with the edges of the Frame (A).



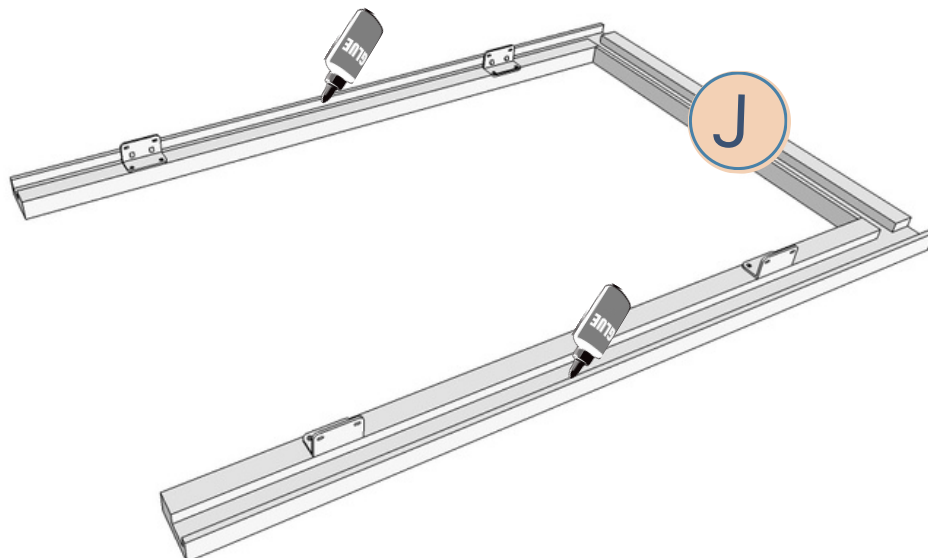
Step 9

Stand the cabinet upright and insert small daps of glue in the (6) slots in Lower Ends (B and C) and Lower Back (D) and the (4) holes in the top of Frame (A). Then, insert (6) Wood Biscuit Joints (H) and (4) Wood Connector Dowels (I).



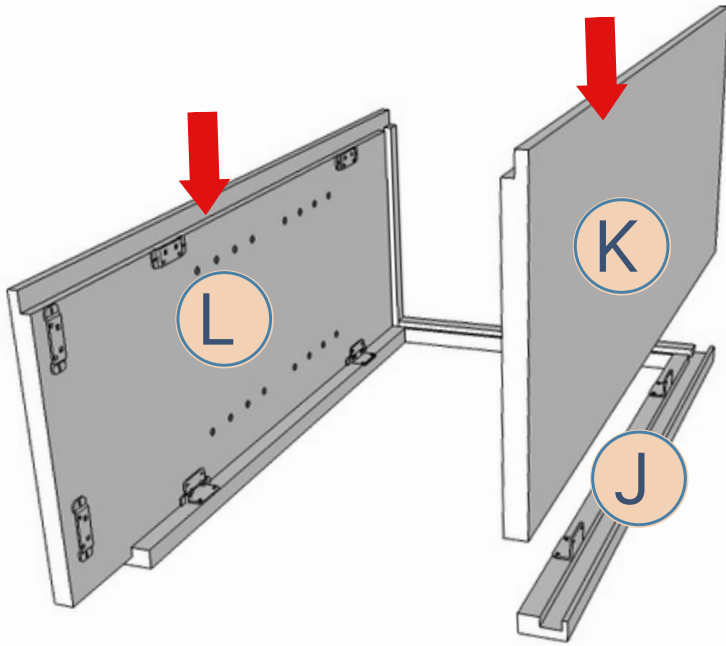
Step 10

Lay the Upper U-Frame (J) face down on a smooth flat surface and run a bead of glue in the vertical grooves.

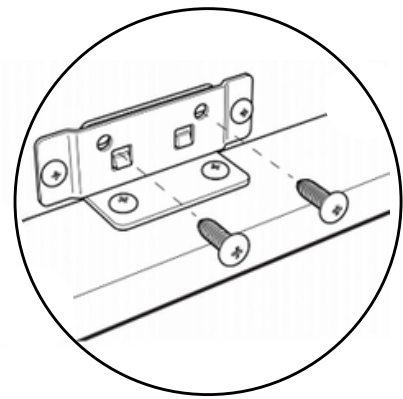


Step 11

Insert the Upper Ends (K and L) so that the L-Brackets on the U-Frame (J) and the Connector Plates on the Ends 'snap' together.

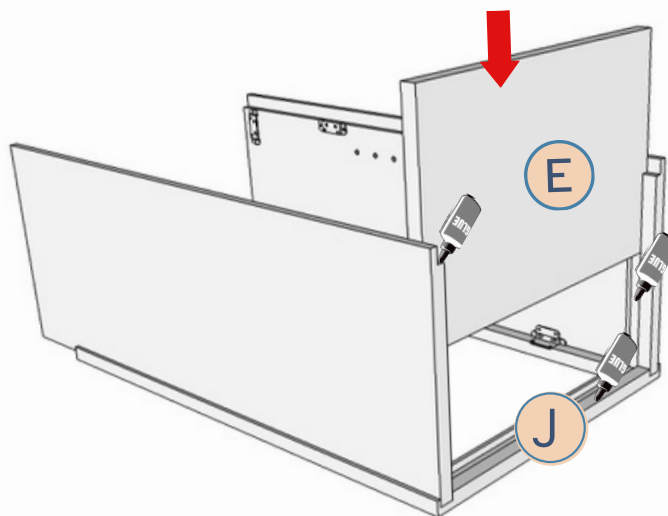


Align the panels and tighten the Connector Plate screws. Then, lock the brackets together using (8) #6 x 1/2" Pan Head locking screws.



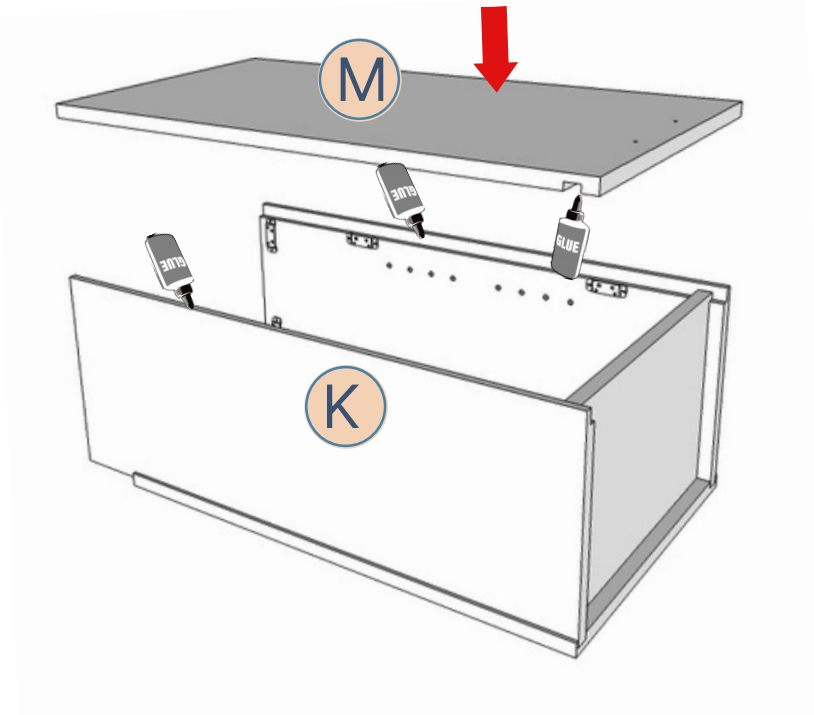
Step 12

Run beads of glue in the upper grooves in U-Frame (J) and Upper Ends (K and L) and insert (1) Fixed Shelf (E).



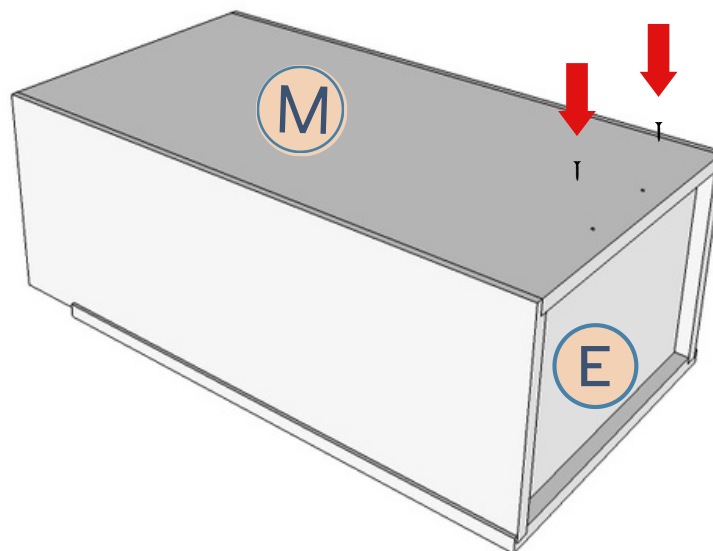
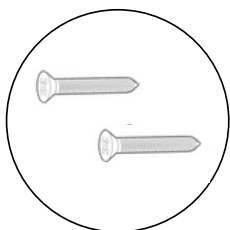
Step 13

Apply beads of glue to recesses in back of Upper Ends (K and L) and groove in Upper Back (M). Carefully install Upper Back (M) so that the L-Brackets and Connector Plates 'snap' together.



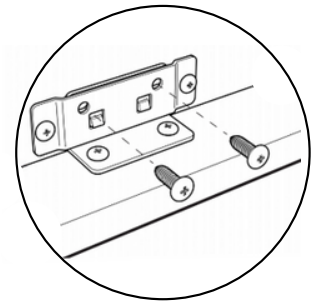
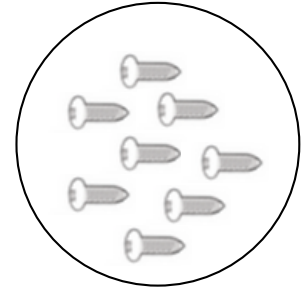
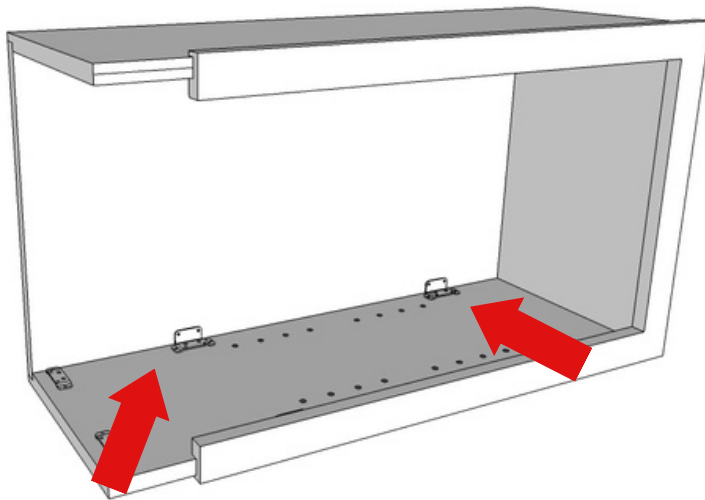
Step 14

Ensure the brackets and plates are connected, insert (2) #6 x 1" Flat Head screws thru holes in Lower Back and fully tighten into Fixed Shelf (E).



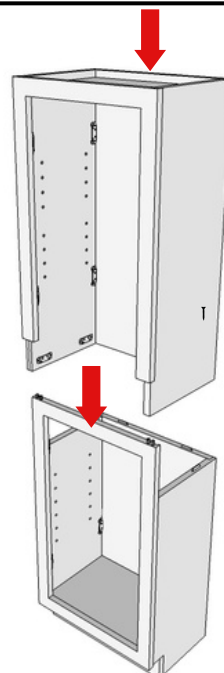
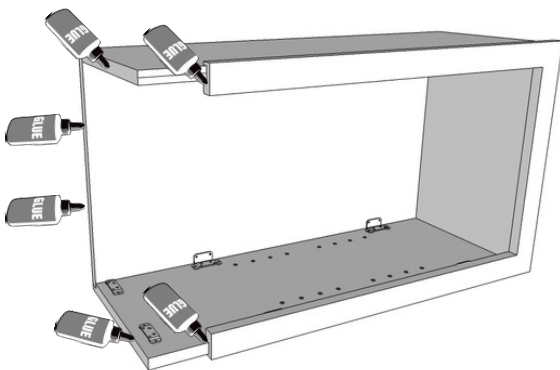
Step 15

Carefully turn the cabinet over and tighten the Connector Plate screws. Then, secure the brackets together using (8) #6 x 1/2" Pan Head locking screws.



Step 16

Insert small daps of glue into the (6) slots in the bottom edge of Upper Ends (K and L) and Upper Back (D) and in the (4) holes in the bottom of U-Frame (J).



Then, carefully place the upper cabinet onto the lower cabinet, making sure the Wood Biscuit Joints and wood Dowels are fully inserted.

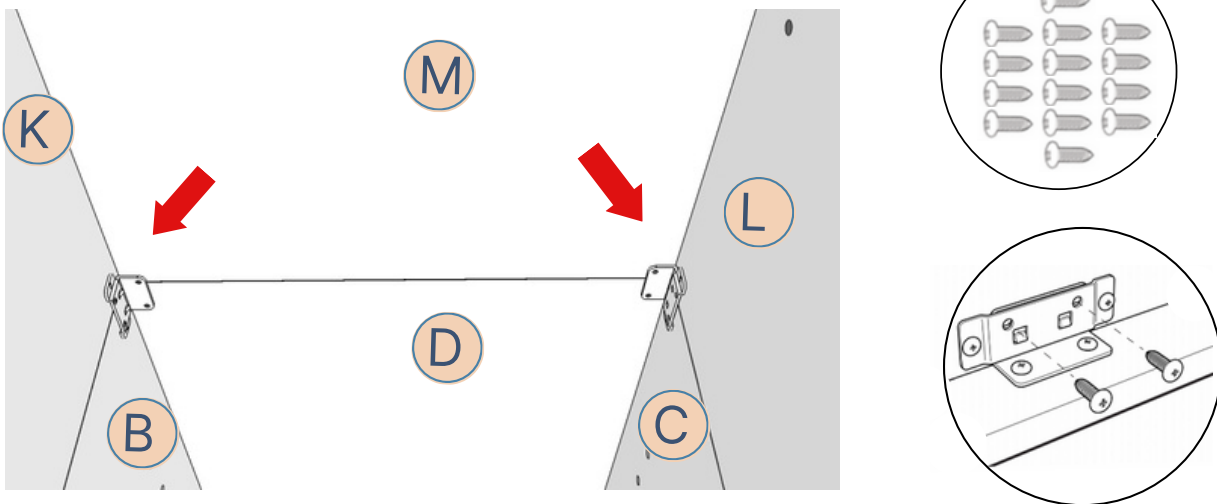
Make sure the two cabinets are correctly and tightly aligned.

Step 17

In the back, where the two cabinet sections meet, attach the (2) tan L-Brackets to the Lower Back (D) using (2) #6 x 1/2" Pan Head screws.

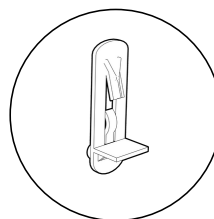
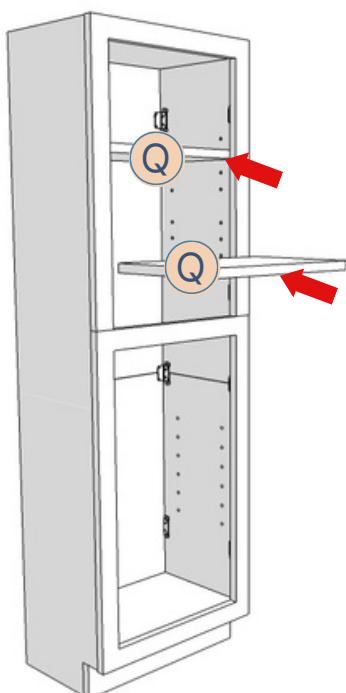
Then, attach the (4) loose Connector Plates to the Lower Back (D) and the Lower Frame (A) using (4) #6 x 1/2" Pan Head screws.

Finally, secure the plates and brackets together using (8) #6 x 1/2" Pan Head locking screws.



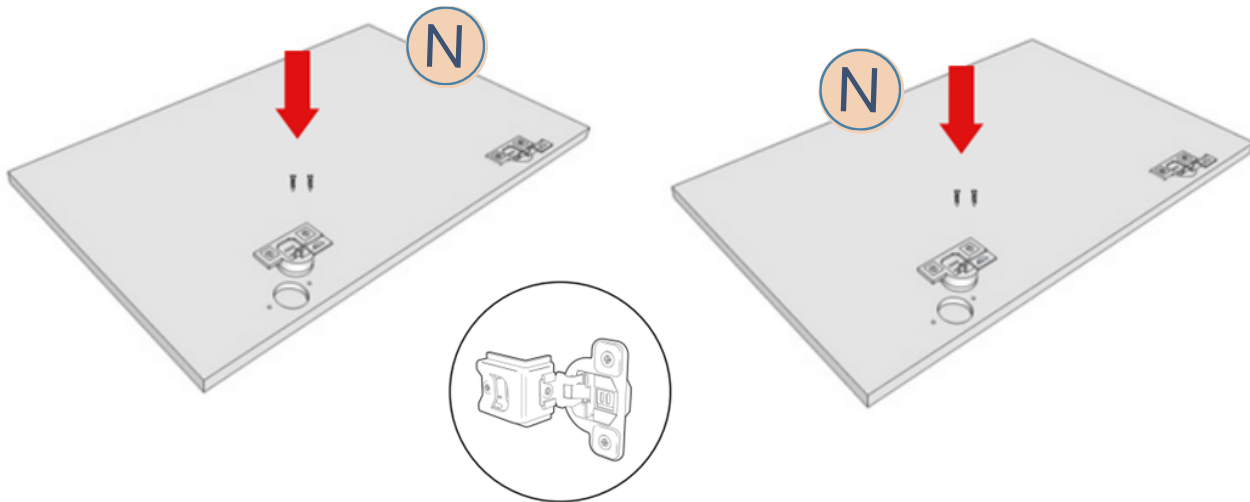
Step 18

Insert (8) Locking Shelf Supports (P) in the desired locations and install (2) Adjustable Shelves (Q).



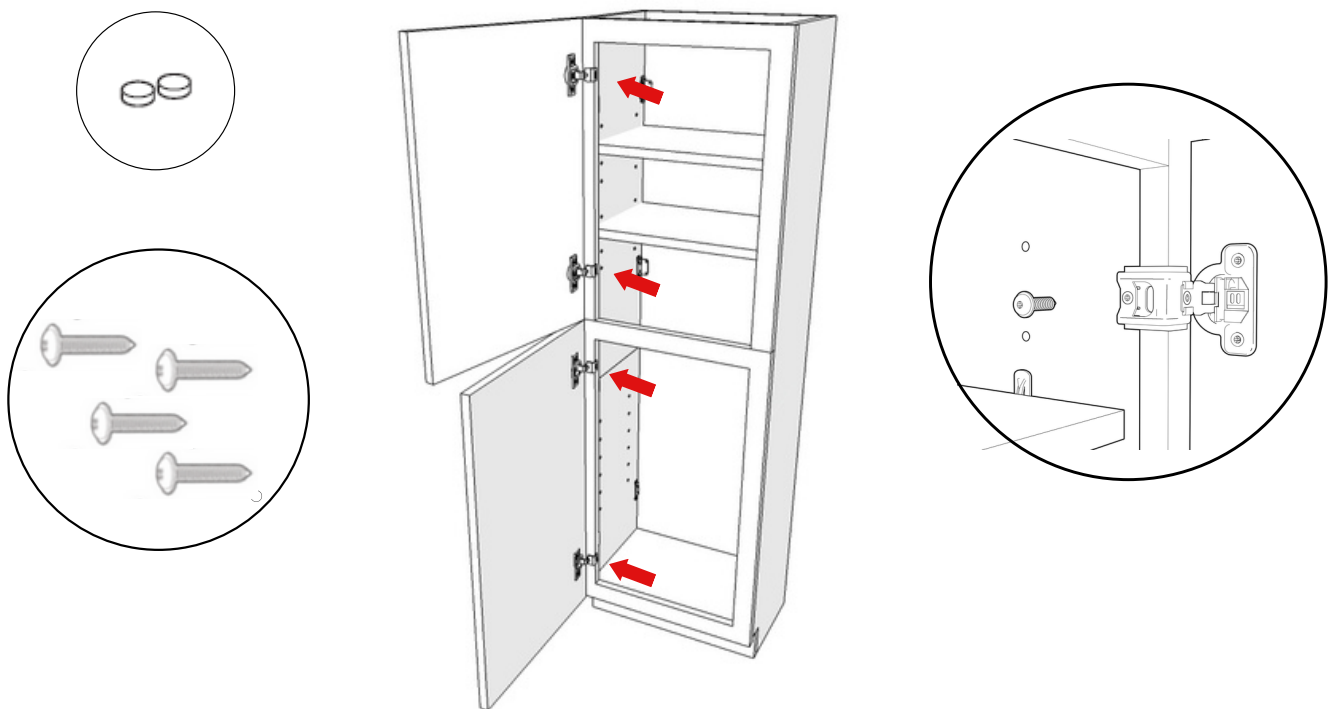
Step 19

Lay the (2) Doors (N) face down on a smooth flat surface and install (4) Soft Close hinges (O) using (8) #6 x 5/8" Flat Head Screws.



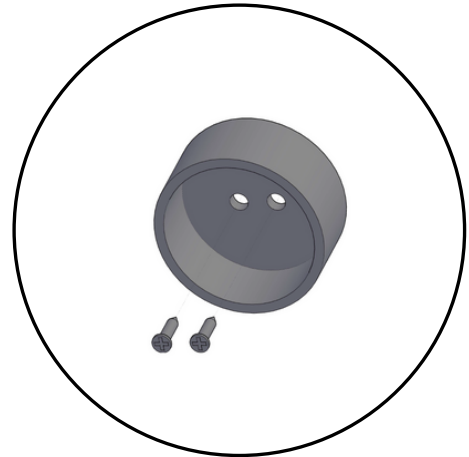
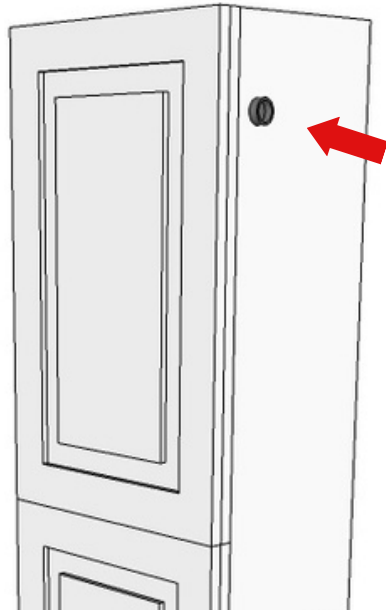
Step 20

Mount the (2) Doors (N) onto the Frames (A and J) using (4) #8 x 7/8" Pan Washer Head screws.

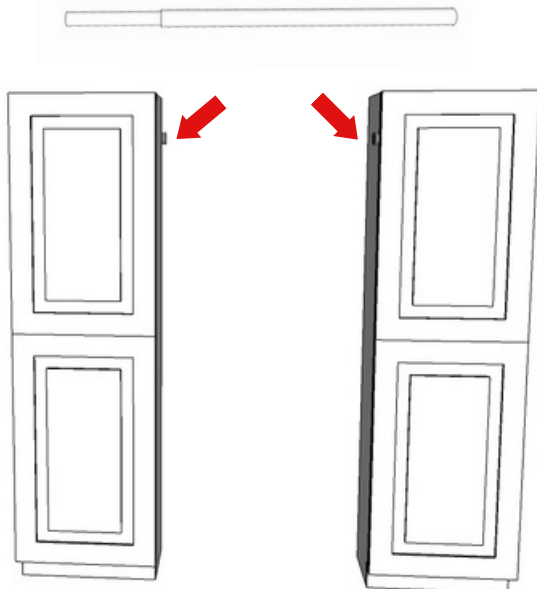


Step 21

Install Rod Socket (K) in the desired location, immediately behind the Frame (A), using the screws provided.



Step 22



To install the Adjustable Hanging Rod (S) between (2) towers, insert the rod into one socket, extend the rod into the other bracket, and twist it to lock in place.

IMPORTANT! Consult a professional to determine the best hardware required to mount the tower securely to your type of wall.

enjoy