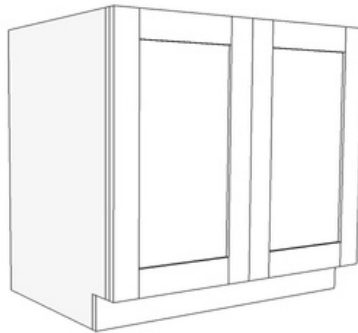


## **36" Laundry Base Cabinet**

### **Assembly Guide LB36**



#### **IMPORTANT NOTES**

Before you start, inspect all panels and hardware to ensure you have everything needed.

We recommend laying the panels on some cardboard to protect the finish when assembling.

In addition to the pre-installed hardware, we recommend adding a bead of white wood glue in the dado grooves, to create the strongest cabinet.

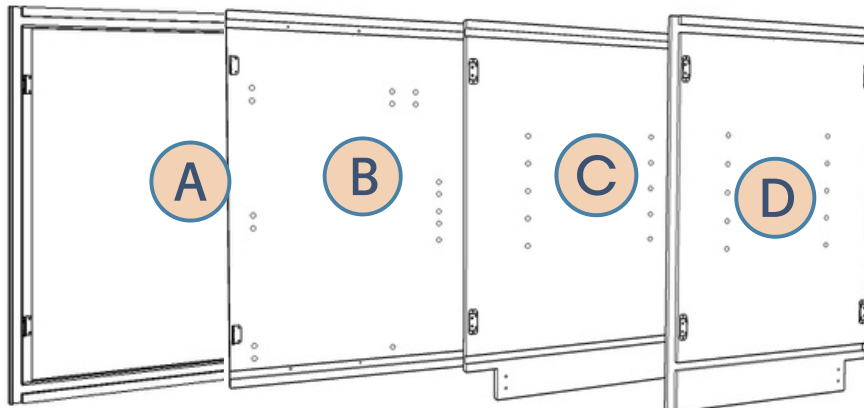


[www.millspride.com/rta](http://www.millspride.com/rta)

Scan this code for more detailed instructions, assembly videos and to register your cabinet warranty.

**PARTS**

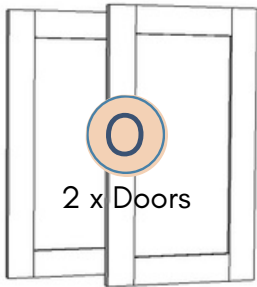
1 x Face Frame  
with Pre-Installed  
Hardware



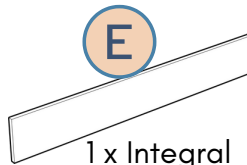
1 x Right End  
Panel with  
Pre-Installed  
Hardware

1 x Back Panel with  
Pre-Installed  
Hardware

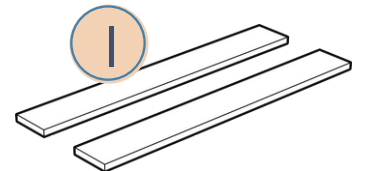
1 x Left End Panel  
with  
Pre-Installed  
Hardware



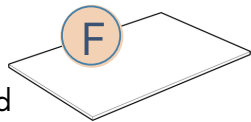
2 x Doors



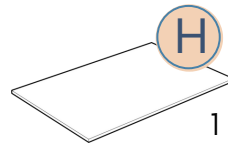
1 x Integral  
Toe Kick



2 x I-Beams



1 x Fixed  
Shelf



1 x Adjustable  
Shelf

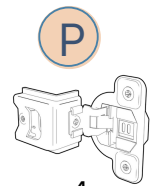
4 x  
Bumpers







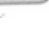
5 x  
L-Brackets

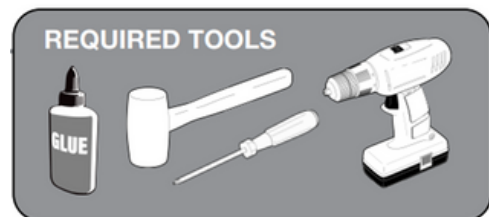


5 x Locking  
Shelf Rests



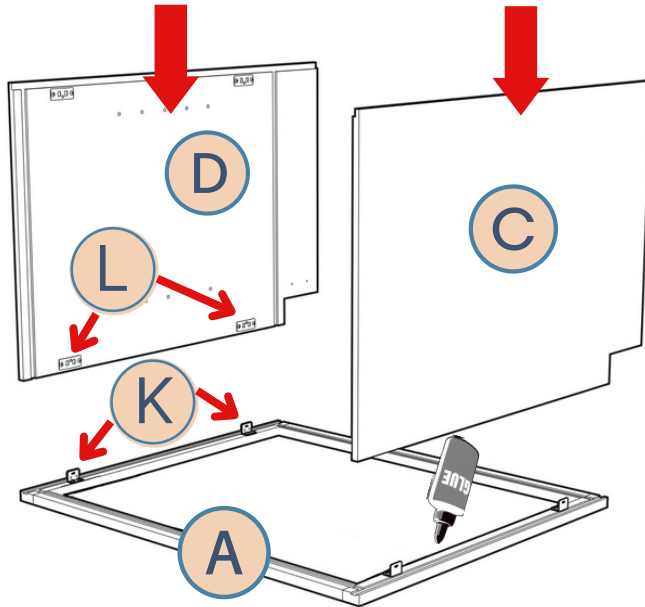
4 x  
Hinges

-  20 - #8 x 1/2" Pan Head Screws
-  16 - #6 x 1/2" Pan Head Screws
-  8 - #6 x 5/8" Flat Countersink Screws
-  4 - #8 x 7/8" Pan Washer Head Screws
-  5 - #6 x 1" Flat Countersink Screws

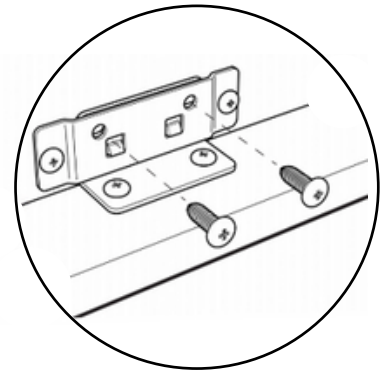


## Step 1

Run a bead of wood glue in the grooves in the back of Frame (A) and insert End Panels (C and D) so that L-Brackets (K) and Connector Plates (L) snap together.

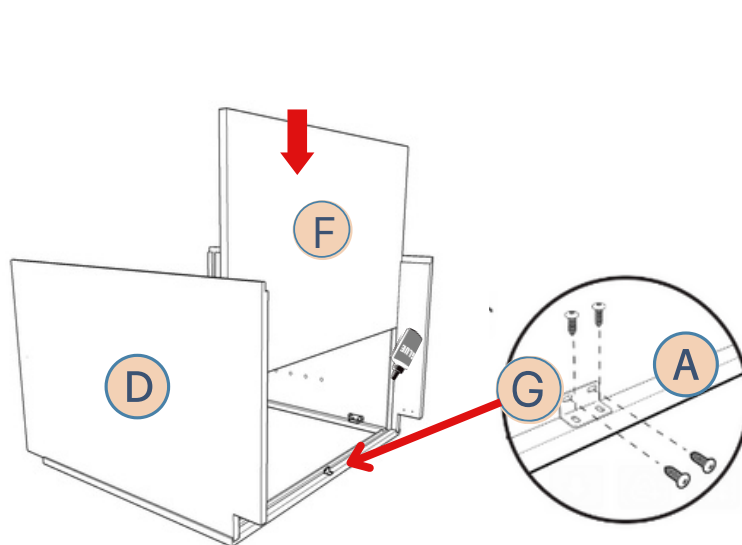


Align the panels so the grooves line up and secure the Connector Plates and L-Brackets with (8) #6 x 1/2" Pan Head locking screws.



## Step 2

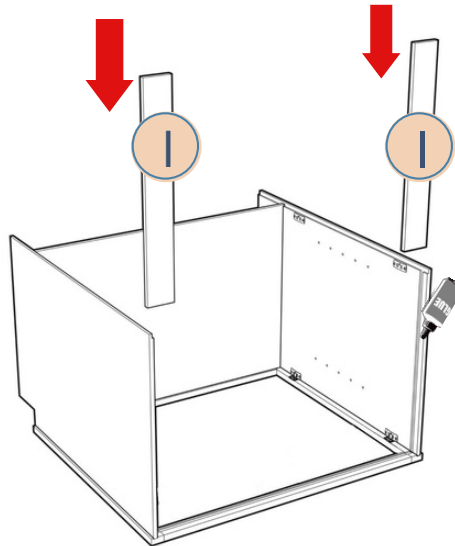
Run a bead of wood glue in the lower grooves in Face Frame (A) and End Panels (C and D) and insert Fixed Shelf (F).



Attach (1) Silver L-Bracket (G) in middle of frame using (4) #8 x 1/2" Pan Head screws.

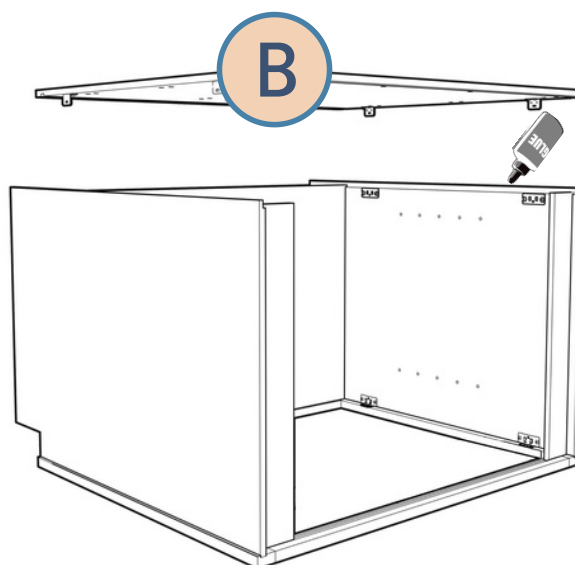
**Step 3**

Run a bead of wood glue in the upper grooves in End Panels (C and D) and insert (2) I-Beams (I)



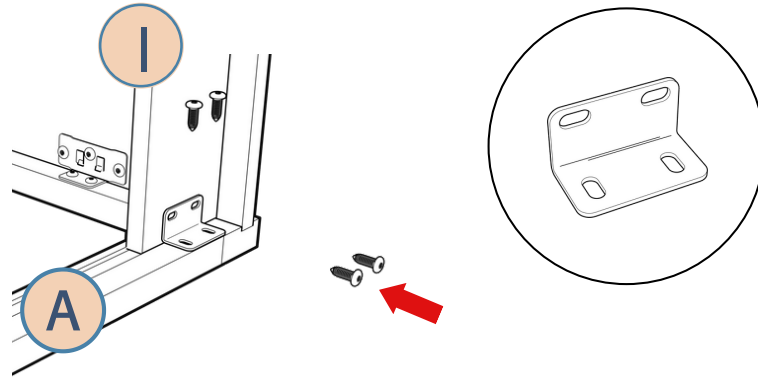
**Step 4**

Apply beads of wood glue to recesses in back of End Panels (C and D) and carefully install Back Panel (B) into grooves in End Panels (C and D), so that L-Brackets (K) and Connector Plates (L) snap together. Ensure Fixed Shelf (F) fits into groove in Back Panel (B).



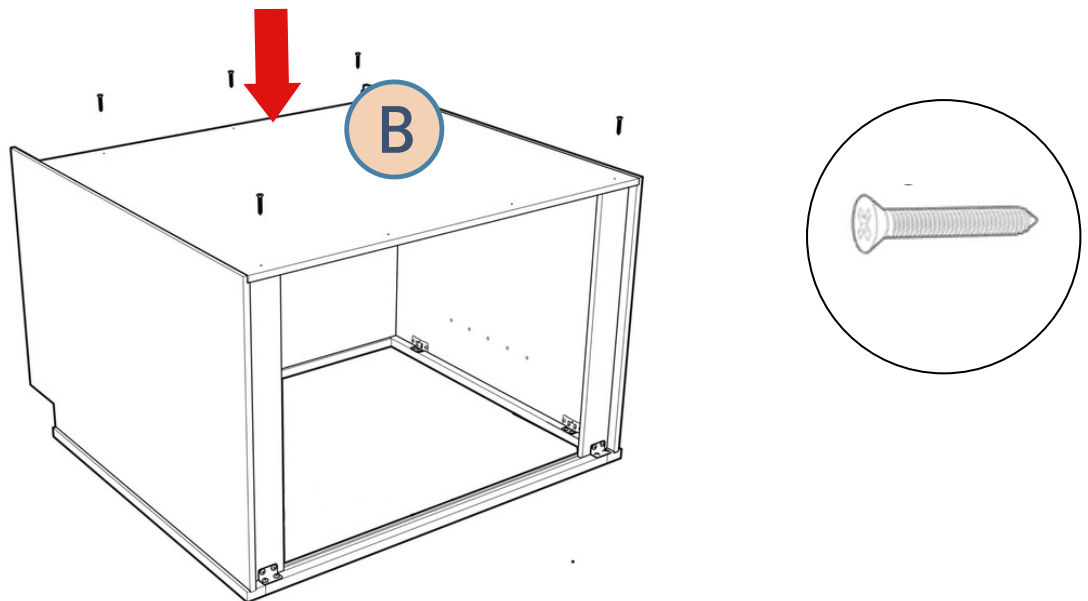
**Step 5**

Ensure I-Beams (I) are correctly seated and attach them to Face Frame (A) using (2) Silver L-Brackets (G) and (8) #8 x 1/2" Pan Head screws.



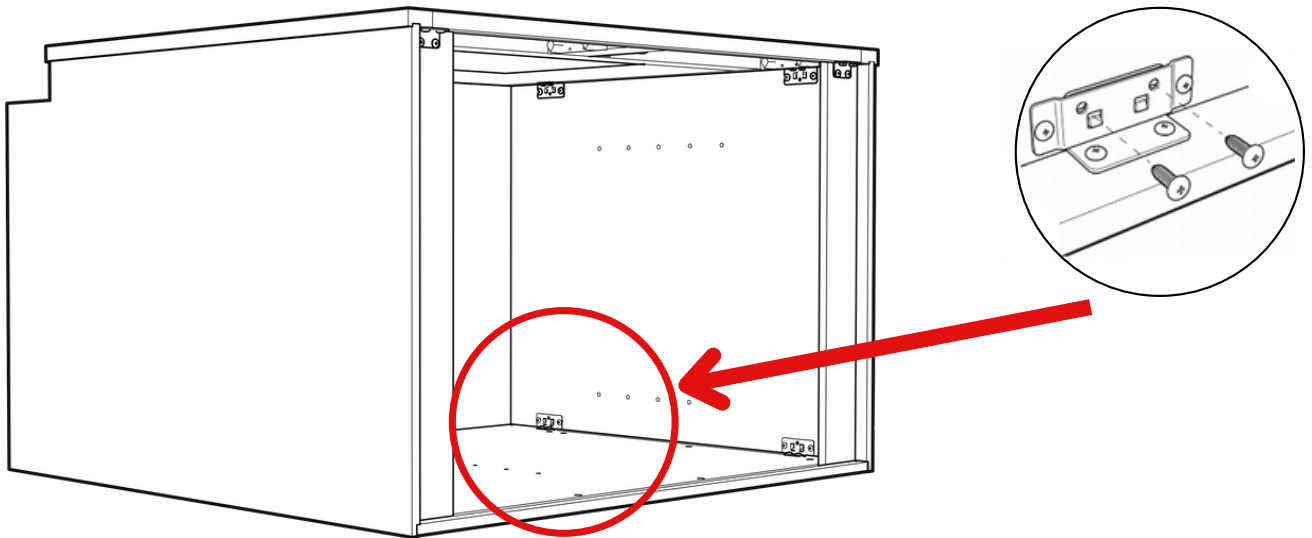
**Step 6**

Insert (5) #6 x 1" Flat Head screws thru holes in Back Panel (B). Tighten them into Fixed Shelf (F) and I-beams (I).



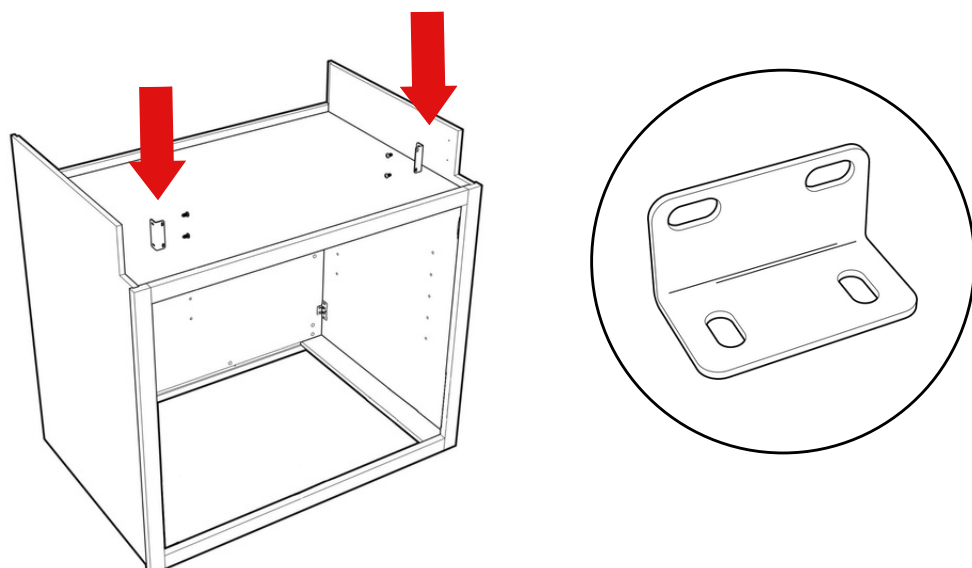
**Step 7**

Turn the cabinet over, make sure it is square and secure the Connector Plates with locking screws: (8) #6 x 1/2" Pan Head.



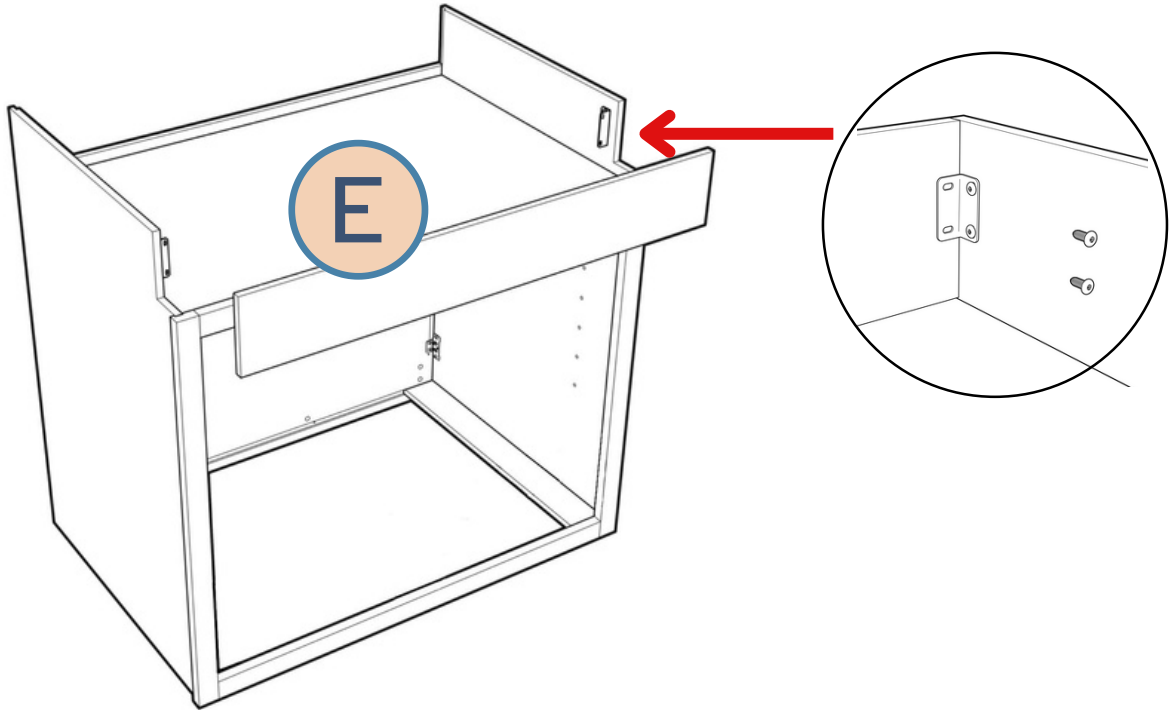
**Step 8**

At the toe kick cutout, attach (2) silver L-Brackets (G) to End Panels with (4) #8 x 1/2" Pan Head screws.



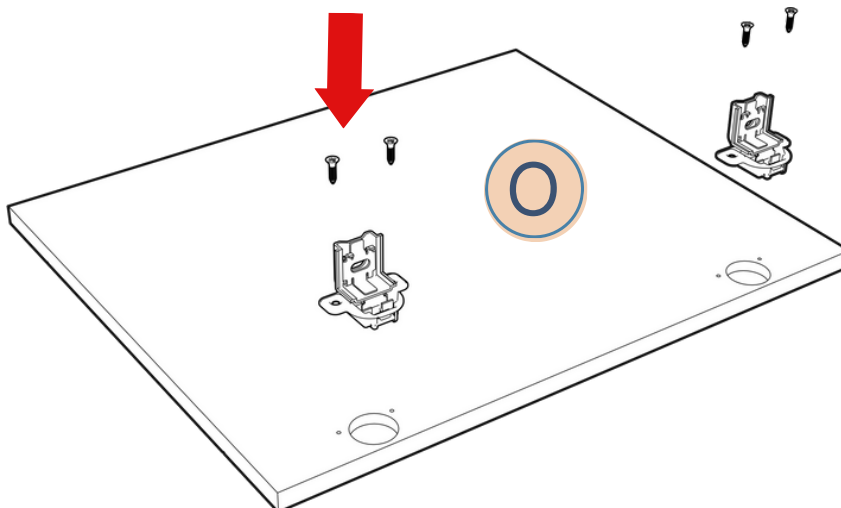
**Step 9**

Attach integral Toe Kick (E) and secure with (4) #8 x 1/2" Pan Head screws.



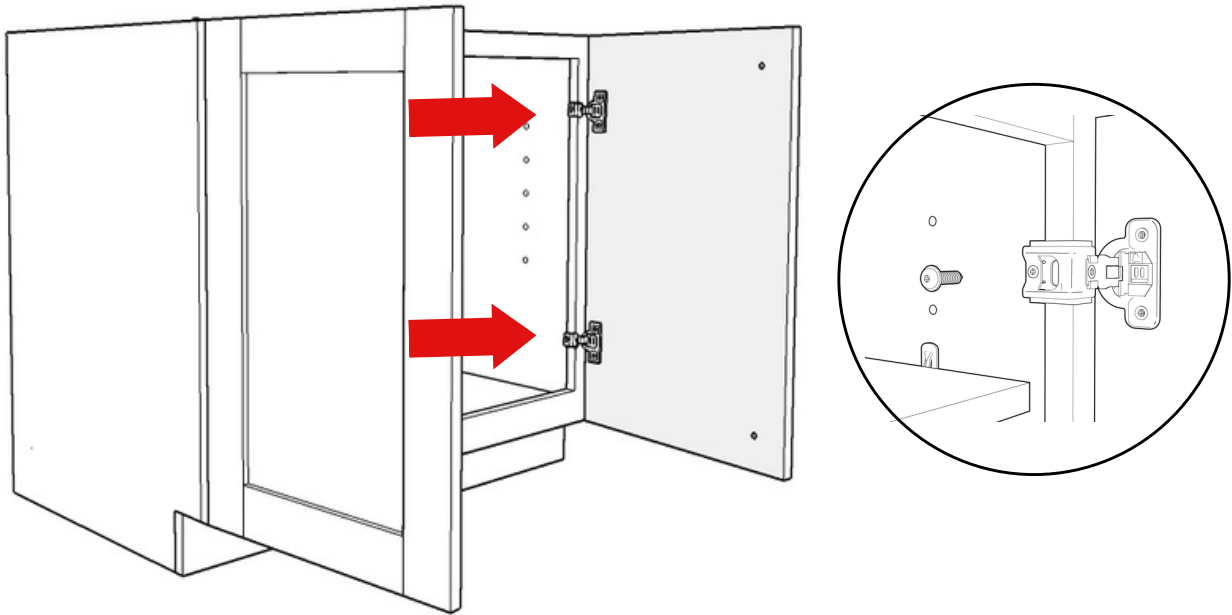
**Step 10**

Lay the Doors (O) face down on a smooth flat surface and install (4) Hinges (P) using (8) #6 x 5/8" Flat Head screws.



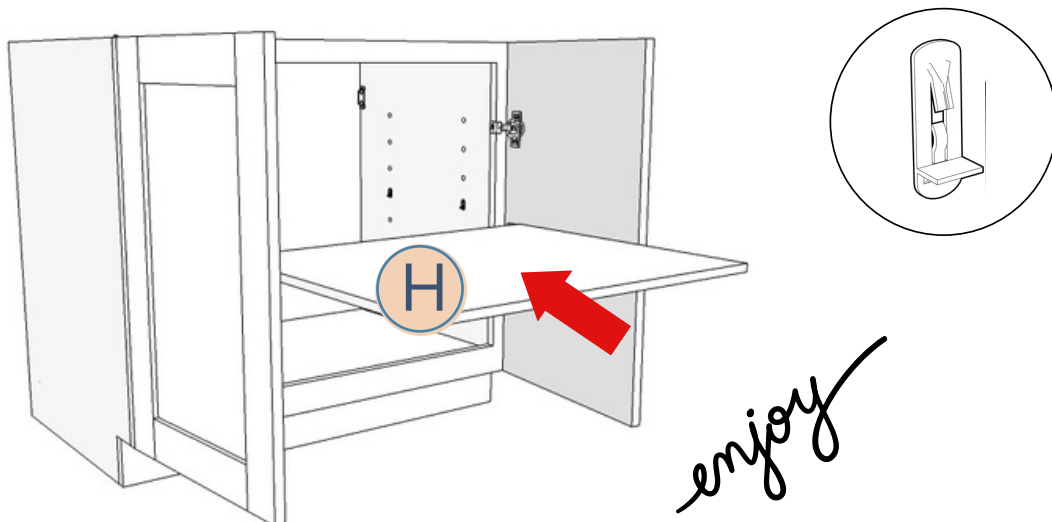
**Step 11**

Attach Doors (O) to the Face Frame (A) using (4) #8 x 7/8" Pan Washer Head screws and install (2) clear bumpers on each door.



**Step 12**

Insert (5) Locking Shelf Rests (J) in desired location and install Adjustable Shelf (H).



*enjoy*